

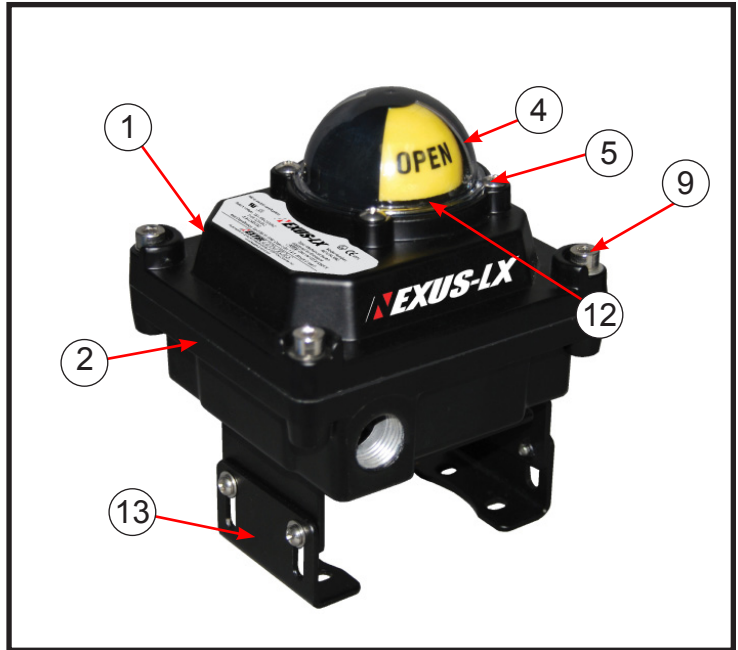
Automation & Controls Product Group of SVF Flow Controls, Inc.



The SVF model **NEXUS-LX** is a reliable and compact feedback device fitted with two mechanical SPDT switches rated for 15A service. The **NEXUS-LX** is part of our family of control products for use in hazardous area environments. The ATEX rating and NEMA-7 enclosure combine to assure dependable performance in demanding areas of all process facilities.

## NEXUS-LX™ DESIGN FEATURES

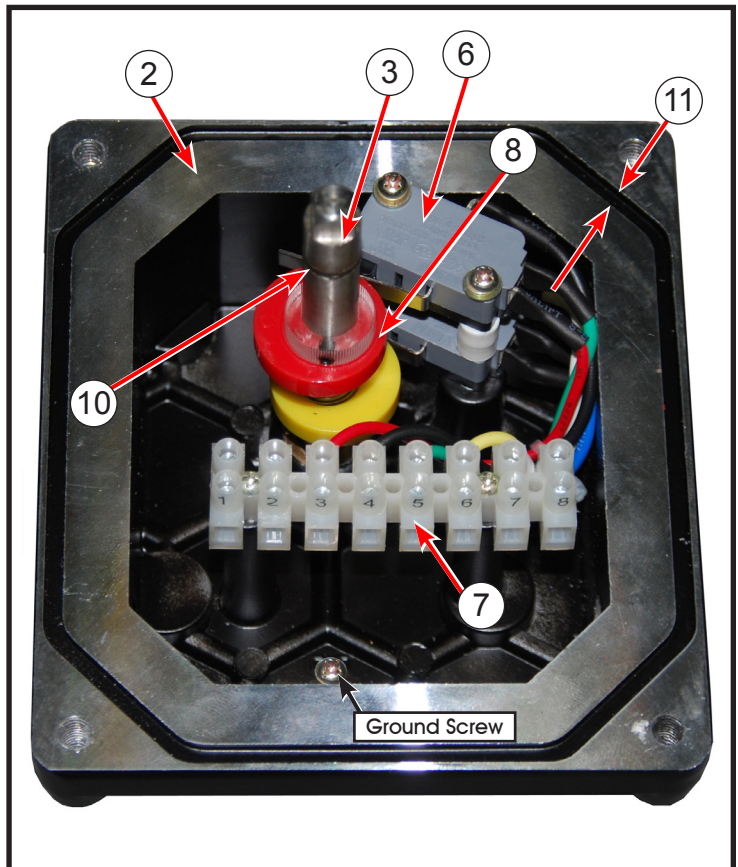
- ▼ Approved for Enclosure: **ATEX** DNV 09 ATEX 53807X
- ▼ Area Classification: Ex d IIB T6, IP66, Class I, Div. 1 & 2, Groups C and D
- ▼ Aluminum enclosure with polyester powder coating has a temperature rating of -4°F to 176°F.
- ▼ Suitable for use on rotary applications for double acting or spring return actuators
- ▼ NAMUR and ISO 5211 adjustable bracket mounting
- ▼ Dual 3/4" NPT conduit entries facilitate wiring in the field and for additional ancillary pilot valve connections
- ▼ Captive cover bolts remain intact during wiring to prevent loss
- ▼ Stainless Steel fasteners



## MATERIALS OF CONSTRUCTION

ITEM #	DESCRIPTION	MATERIALS SPECIFICATIONS (Additional options available)
1	BOX COVER	DIE CAST ALUMINUM*
2	BOX HOUSING	DIE CAST ALUMINUM*
3	SHAFT	STAINLESS STEEL
4	INDICATOR COVER	POLYCARBONATE
5	INDICATOR CAP FASTENERS	STAINLESS STEEL
6	SENSORS	MECHANICAL SWITCHES, PROXIMITY SENSORS, MAGNET SENSORS
7	TERMINAL STRIP	POLYCARBONATE
8	CAMS	POLYCARBONATE
9	COVER BOLTS	STAINLESS STEEL
10	SHAFT O-RING	BUNA "N"
11	HOUSING O-RING	BUNA "N"
12	INDICATOR O-RING	BUNA "N"
13	MOUNTING BRACKET	CARBON STEEL*

\* ITEMS 1, 2, 13 WITH POLYESTER POWDER COATING



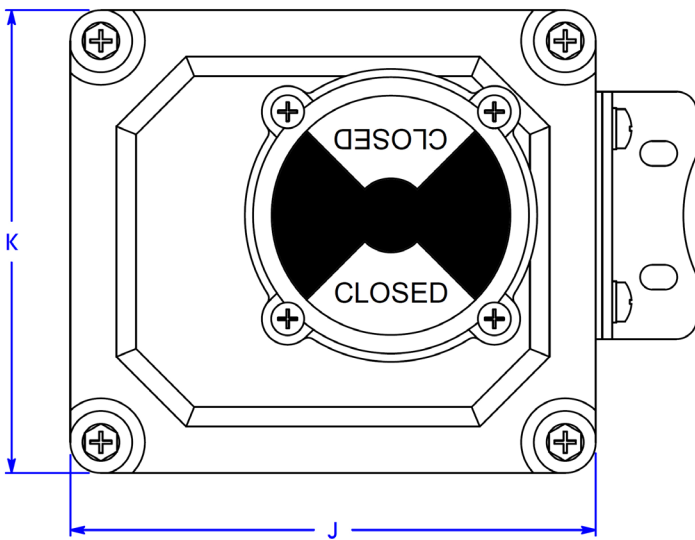
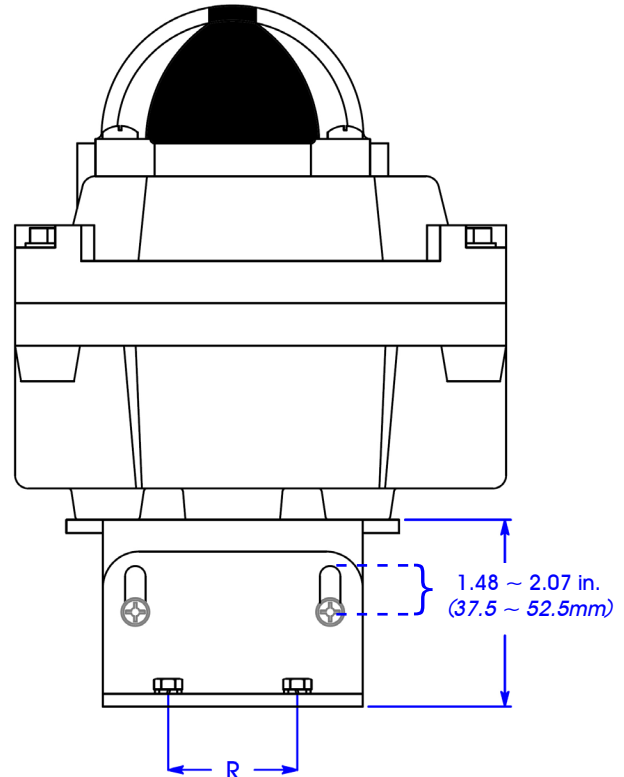
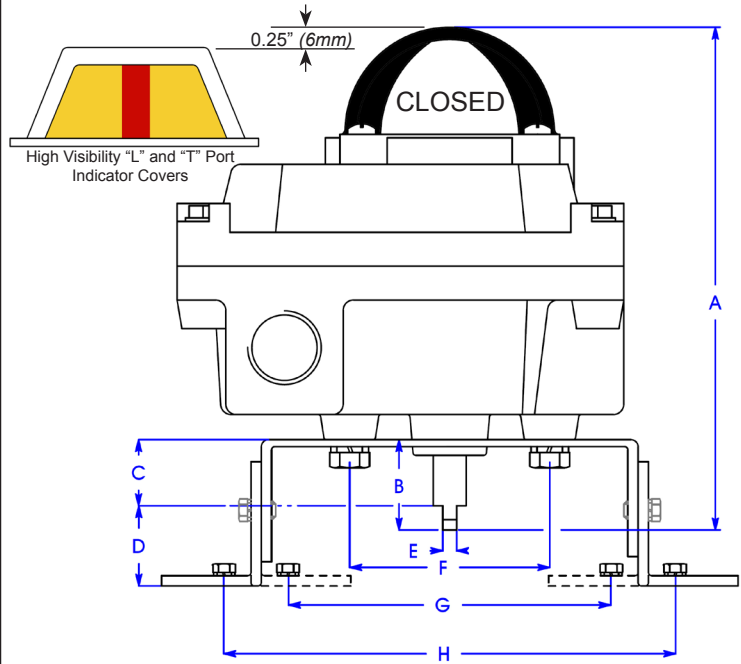
## NEXUS-LX™ DIMENSIONS, WEIGHT

Item	Dimension	
	in.	mm
A	5.67	144
B	1.06	27
C	0.79	20
D	0.79	20
E	0.16	4
F	0.79	20
G	3.15	80
H	5.12	130
J	5.02	128
K	4.41	112
R	1.18	30
Weight	2.5 lbs.	1.13 kg



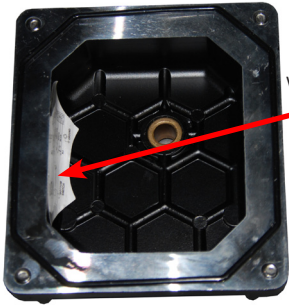
### NEXUS-LX

ATEX Limit Switch  
Box shown with  
aero2 actuator &  
SVF Series "8"  
Ball Valve

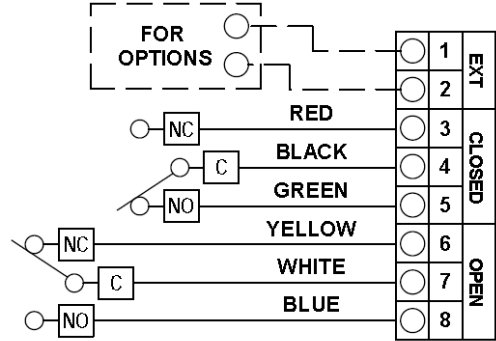
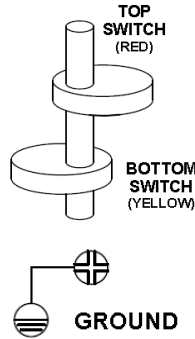


## NEXUS-LX™ STANDARD WIRING DIAGRAM

Mechanical Switches M2B= (Standard) 2 SPDT, 15A 125-250VAC, 3A/24VDC (Wiring Diagram # WDNX2M2B)






Wiring Diagram located inside top cover.



See next page for Wiring Diagrams for Optional Switches & Sensors

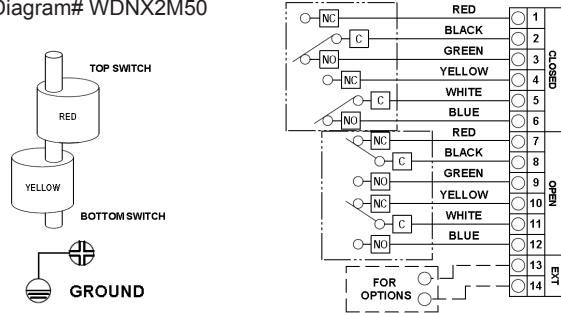
## NEXUS-LX™ HOW TO ORDER GUIDE

SERIES	SWITCHES/SENSORS	POSITION INDICATOR
NEXUSLX= ATEX Limit Switch Box	<p><b>Mechanical Switches:</b>                      M2B= (Standard) 2 SPDT 15A 125-250VAC, 3A/24VDC                      M50= (Optional) 2 DPDT 15A 125-250VAC, 3A/24VDC</p> <p><b>Magnetic Reed Switch (Optional):</b>                      Q30 = Magnetic Reed Switch 2 SPDT 5-240VAC/VDC, 300mA</p> <p><b>Proximity Sensors (Optional):</b>                      P20 = Inductive, NO 2 wire 10-30VDC, 150mA                      PP0 = Inductive, NC 2 wire 8VDC, 1mA                      P30 = Inductive, NPN-NO 3 wire 10-30VDC, 150mA                      P3A = Inductive, NPN-NC 3 wire 10-30VDC, 150mA                      P3B = Inductive, PNP-NO 3 wire 10-30VDC, 150mA                      P3C = Inductive, PNP-NC 3 wire 10-30VDC, 150mA</p>	<p>Leave Blank for Standard 90 degree Position Indicator, Yellow Open, Red Closed</p> <p>L = High Visibility Three Way "L" Yellow Base, Red Flow Bar </p> <p>T = High Visibility Three Way "T" Yellow Base, Red Flow Bar </p> <p>Other Options Available</p> 
<p><b>Order Example: (NEXUSLXM2B)</b></p>		
<p><b>NEXUS-LX NAMUR-mount limit switch box with two mechanical SPDT switches in a NEMA 4/4X/7 (IP66) enclosure, 8 point terminal strip and high visual indicator for Open/Closed Positions.</b></p>		
NEXUSLX	M2B	(BLANK)

Automation & Controls Product Group of SVF Flow Controls, Inc.

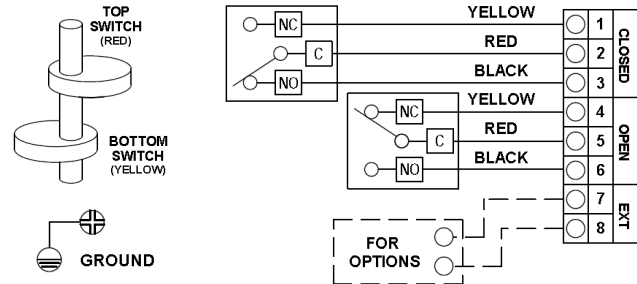
## WIRING DIAGRAMS FOR OPTIONAL SWITCHES & SENSORS

Wiring Diagram# WDNX2M50



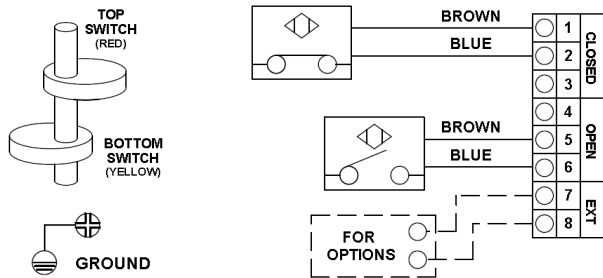
M50 = Mechanical Switches 2 DPDT

Wiring Diagram# WDNX2Q30



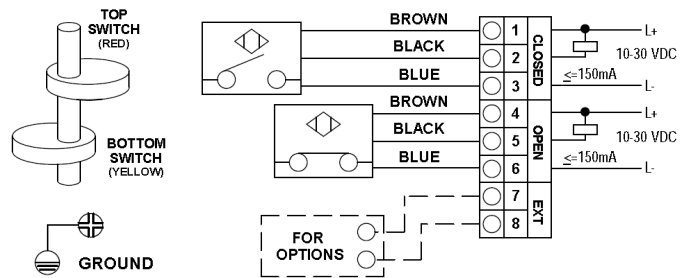
Q30 = Proximity Sensors NC (3-Wire) Magnetic Sensors

Wiring Diagram# WDNX2P20



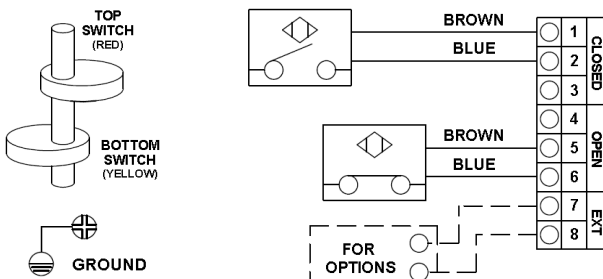
P20 = Proximity Sensors NO (2-Wire) Inductive Sensors

Wiring Diagram# WDNX2P3A



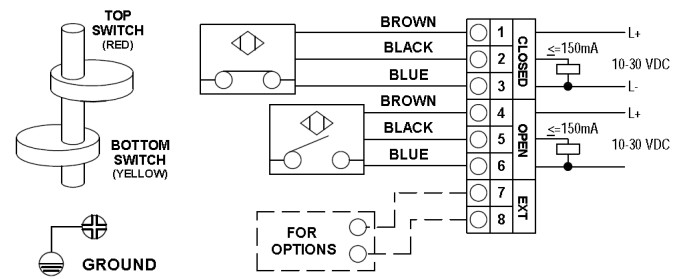
P3A = Proximity Sensors NPN NC (3-Wire) Inductive Sensors

Wiring Diagram# WDNX2PP0



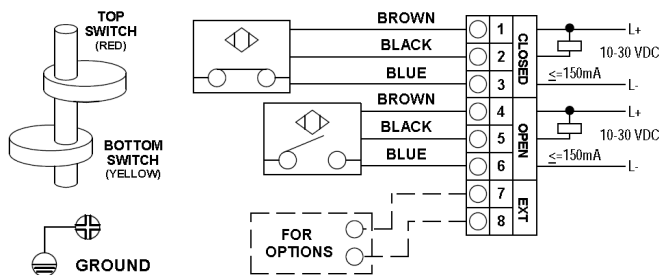
PP0 = Proximity Sensors NC (2-Wire) Inductive Sensors

Wiring Diagram# WDNX2P3B



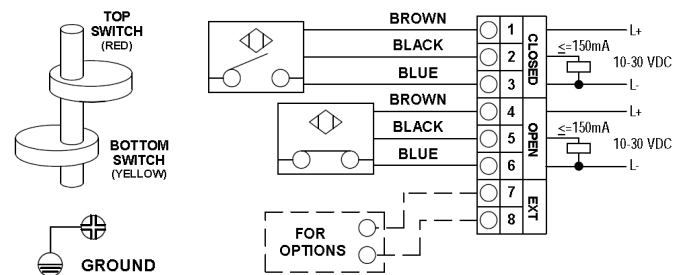
P3B = Proximity Sensors PNP NO (3-Wire) Inductive Sensors

Wiring Diagram# WDNX2P30



P30 = Proximity Sensors NPN NO (3-Wire) Inductive Sensors

Wiring Diagram# WDNX2P3C



P3C = Proximity Sensors PNP NC (3-Wire) Inductive Sensors